

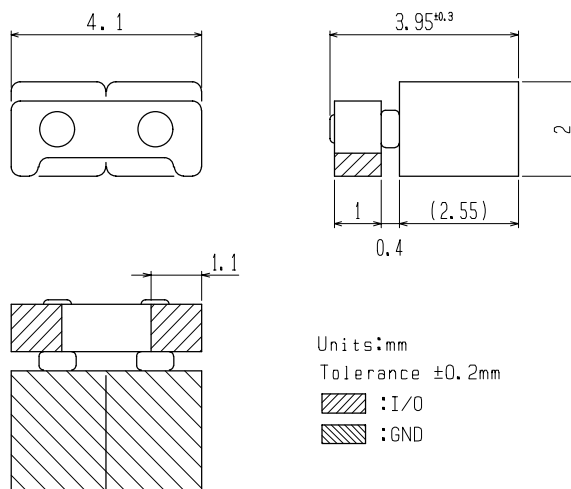
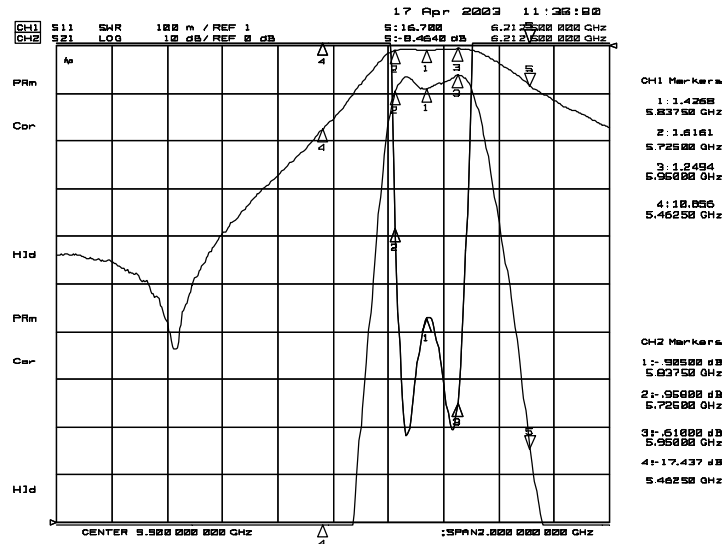
Title Dielectric Filter	Application Band Pass Filter for W-LAN	Document No. FS-063-00	Sheet 1/1
----------------------------	---	---------------------------	--------------

Reference Only

 UBE P/N: UF5837M298 without Shield Metal

Center Frequency (Fo)	5837.5 MHz	( 5725 to 5950 MHz)
Band Width	+/- 112.5 MHz	
Insertion Loss	0.92 dB	( 2.0 dB max )
Ripple	0.31 dB	( 1.0 dB max )
VSWR	1.43	( 2.0 max )
Attenuation		
Fo-375 MHz	17.4 dB	( 15 dB min )
Fo+375 MHz	8.5 dB	( 6 dB min )
5000 MHz	48.8 dB	( 40 dB min )

This catalog shows Typical Value [25°C]. The data in ( ) show Specifications [-40°C ~ 85°C].


**Outside dimensions**