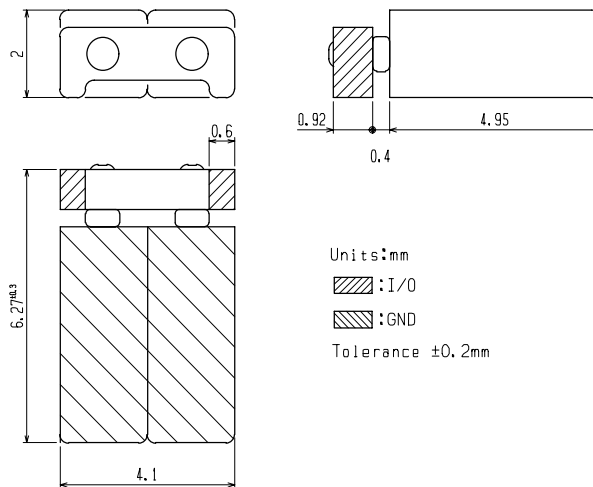
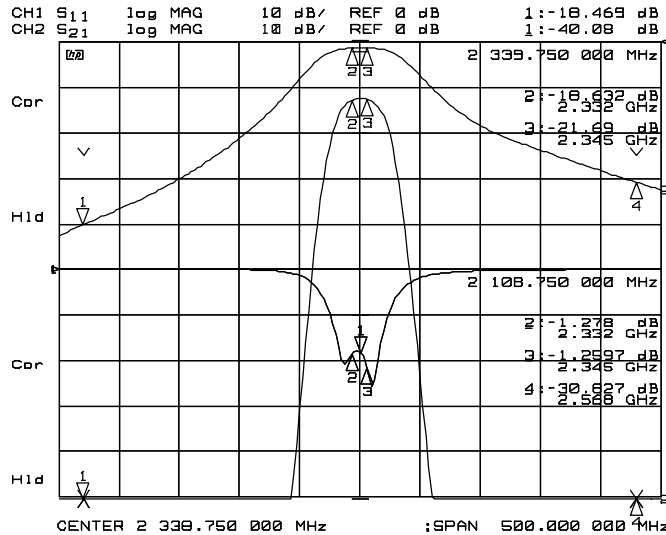


Title Dielectric Filter	Application Band Pass Filter for XM Radio	Document No. FS-058-01	Sheet 1/2
----------------------------	--	---------------------------	--------------

UBE P/N: UF2339M249

Center Frequency (Fo)	2338.75 MHz	(2332.5 to 2345 MHz)
Band Width	+/- 6.25 MHz	
Insertion Loss	1.25 dB	(2.0 dB max)
Ripple	0.05 dB	(1.0 dB max)
VSWR	1.27	(2.0 max)
Attenuation Fo +/- 230 MHz	30.8 dB	(25 dB min)

Note: Typical Value, (-);Over Temp.(-40°C to 85°C)



Outside dimensions

Title Dielectric Filter	Application Band Pass Filter for XM Radio	Document No. FS-058-01	Sheet 2/2
----------------------------	--	---------------------------	--------------

