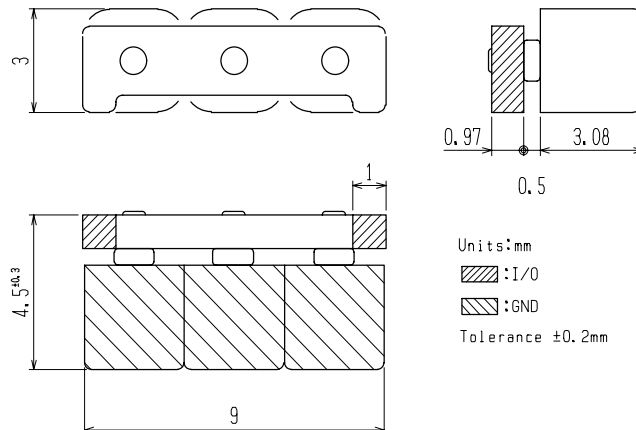
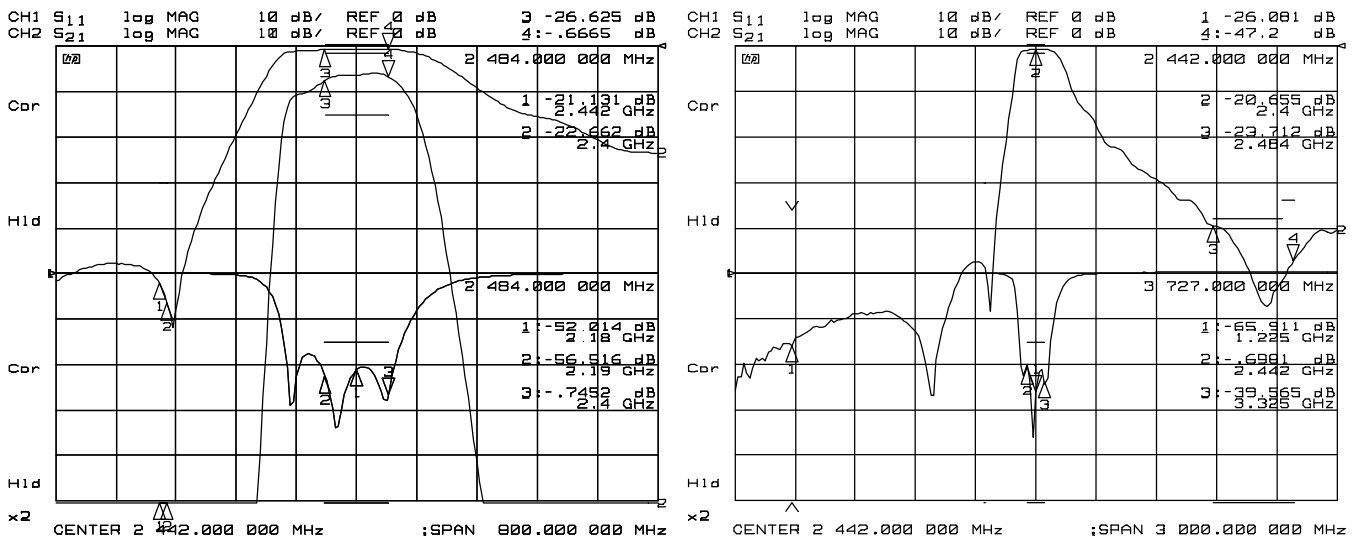


Title Dielectric Filter	Application Band Pass Filter for ISM Band	Document No. FS-059-00	Sheet 1/2
----------------------------	--	---------------------------	--------------

UBE P/N: UF2442M251

Center Frequency (Fo)	2442 MHz	(2400 to 2484 MHz)
Band Width	+/- 42 MHz	
Insertion Loss	0.75 dB	(1.5 dB max)
Ripple	0.16 dB	(0.5 dB max)
Return Loss	20.0 dB	(15 dB min)
Attenuation		
1225 MHz	65.9 dB	(36 dB min)
2180-2190 MHz	52.0 dB	(30 dB min)
3325-3670 MHz	39.5 dB	(38 dB min)
3600-3727 MHz	47.2 dB	(34 dB min)

Note: Typical Value, (-);Over Temp.(-40°C to 85°C)



Outside dimensions

Title Dielectric Filter	Application Band Pass Filter for ISM Band	Document No. FS-059-00	Sheet 2/2
----------------------------	---	---------------------------	--------------

