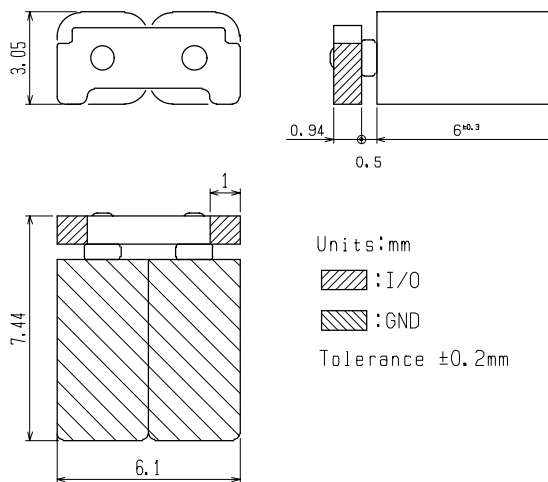
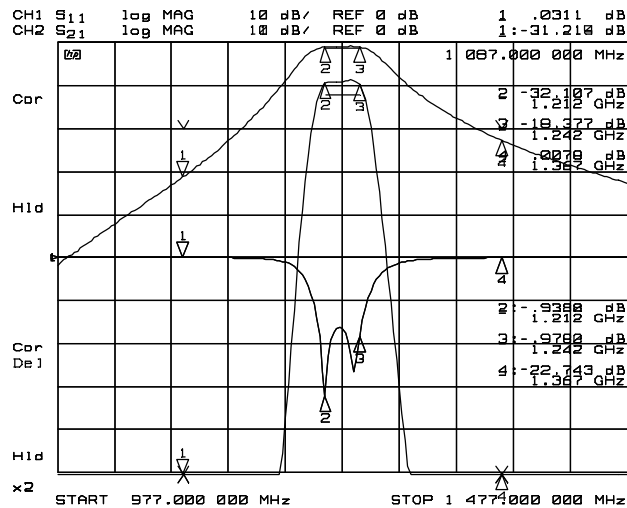


Title Dielectric Filter	Application Band Pass Filter for GPS	Document No. FS-039-01	Sheet 1/1
----------------------------	--	---------------------------	--------------

UBE P/N: UF1227M114

Center Frequency (Fo)	1227 MHz	(1212 to 1242 MHz)
Band Width	+/- 15 MHz	
Insertion Loss	0.95 dB	(1.2 dB max)
Ripple	0.15 dB	(0.5 dB max)
Return Loss	15.0 dB	(10.0 dB min)
Attenuation		
Fo - 140MHz	30.9 dB	(20.0 dB min)
Fo + 140 MHz	22.7 dB	(20.0 dB min)

This catalog shows Typical Value [25°C]. The data in () show Specifications [-40°C ~ 85°C].



Outside dimensions

Title Dielectric Filter	Application Band Pass Filter for GPS	Document No. FS-039-01	Sheet 2/2
----------------------------	--	---------------------------	--------------

