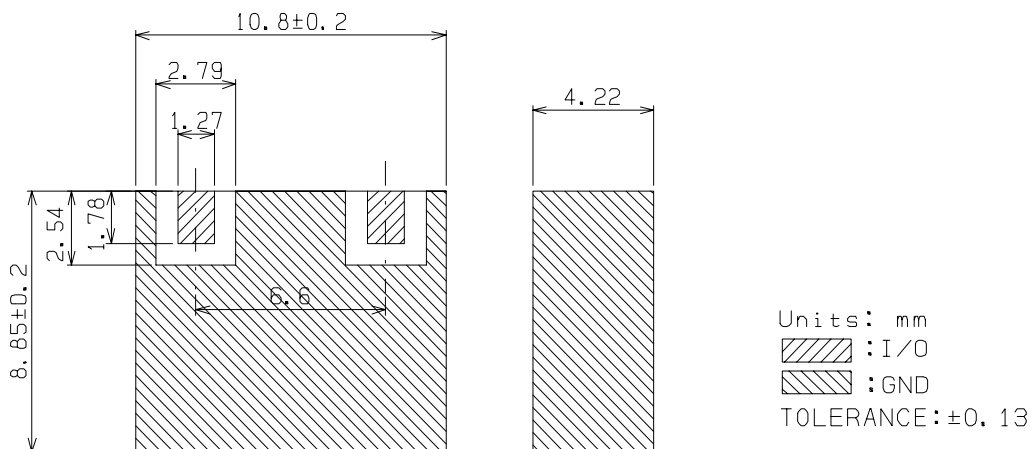
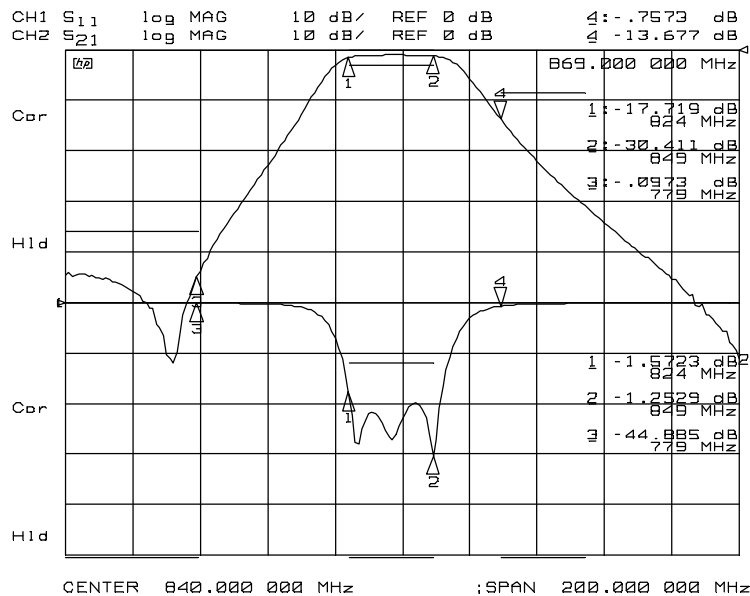


Title Dielectric Filter	Application AMPS Base Station Rx Filter	Document No. FM-L164-00	Sheet 1/1
----------------------------	--	----------------------------	--------------

UBE P/N: UF0836L164

Center Frequency (Fo)	836.5 MHz	(824 to 849 MHz)
Band Width	+/- 12.5 MHz	
Insertion Loss	1.6 dB	(3.0 dB max)
Return Loss	16 dB	(12 dB min)
Ripple	0.8 dB	(1.5 dB max)
Attenuation		
585 - 779 MHz	43 dB	(36 dB min)
869 - 894 MHz	15 dB	(6.5 dB min)

This catalog shows Typical Value [25°C]. The data in () show Specifications [-40°C ~ 85°C].



Outside dimensions